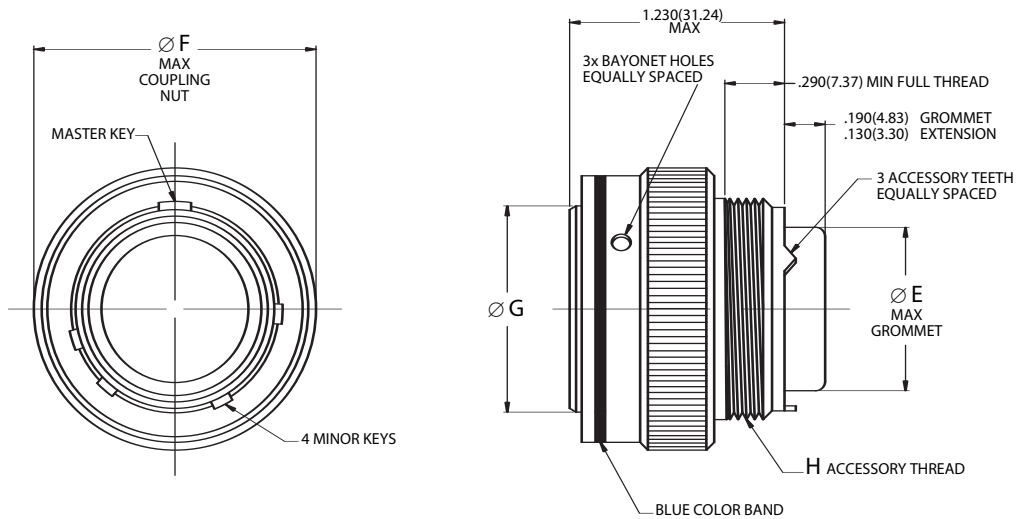




Bayonet Coupling, Crimp Removable, Rear Release



Page 88	Completed Part Number
Page 104	Contacts, Sealing Plugs and Tools
Pages 107, 108	Insert Arrangements
Page 87	Performance Specifications
Page 106	Insert Availability and Contact Information
Page 102	Polarization

Shell Size	Ø E		Ø F		Ø G		H
	Maximum		Maximum		+0.05 -0.04	+0.13 -0.10	Accessory Thread Class 2A
	inch	mm	inch	mm	inch	mm	
8	.305	7.75	.776	19.71	.419	10.64	1/2-20UNF
10	.405	10.29	.906	23.01	.521	13.23	5/8-24UNEF
12	.531	13.49	1.078	27.38	.691	17.55	3/4-20UNEF
14	.665	16.89	1.141	28.98	.760	19.30	7/8-20UNEF
16	.790	20.07	1.266	32.16	.887	22.53	1-20UNEF
18	.869	22.07	1.375	34.93	.993	25.22	1-1/16-18UNEF
20	.994	25.25	1.510	38.35	1.118	28.40	1-3/16-18UNEF
22	1.119	28.42	1.625	41.28	1.243	31.57	1-5/16-18UNEF
24	1.244	31.60	1.760	44.70	1.368	34.75	1-7/16-18UNEF